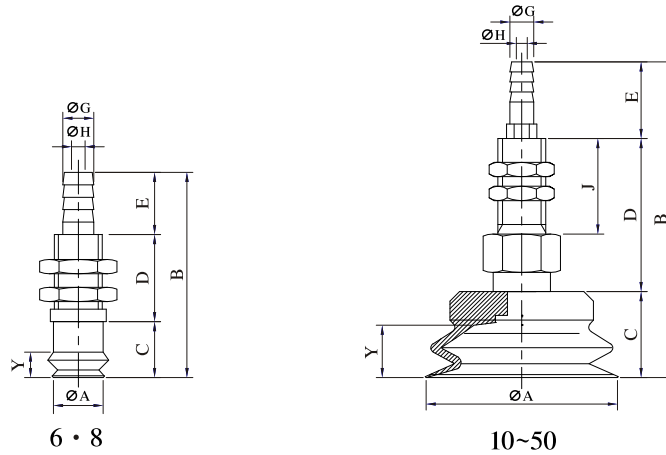


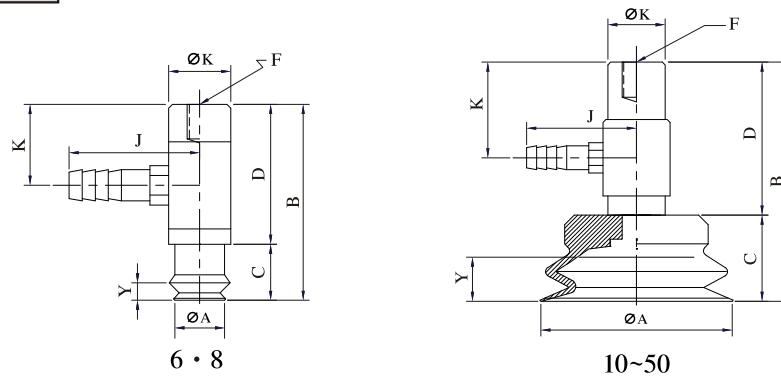
PJIK / PJLK Series

PJIK Series



PJIK	A	B	C	D	E	F	G	H	I	J	K	Y	Z	질량(g)
PJIK-6	6	33	9	14		M9	5	2.5	10		12H	4.2		11
PJIK-8	8	33	9	14		M9	5	2.5	10		12H	4.2		11
PJIK-10	10	42.5	9.5	22	10H	M8	5	3	11	15	10H	3	M5-0.8	11
PJIK-15	15	44	11	22	10H	M8	5	3	11	15	10H	4.5	M5-0.8	15
PJIK-20	20	46	13	22	10H	M8	5	3	11	15	10H	5.5	M5-0.8	17
PJIK-30	30	61	18	32	14H	M10	5	3	11	20	14H	8	M6-1.0	42
PJIK-40	40	61	18	32	14H	M10	5	3	11	20	14H	8	M6-1.0	44
PJIK-50	50	63	20	32	14H	M10	5	3	11	20	14H	9	M8-1.25	58

PJLK Series



PJLK	A	B	C	D	E	F	G	H	I	J	K	Y	Z	질량(g)
PJLK-6	6	31.5	9	22.5	10H	M4	5	2.5	21	13	10	4.2		16
PJLK-8	8	31.5	9	22.5	10H	M4	5	2.5	21	13	10	4.2		16
PJLK-10	10	31.5	9.5	22	10H	M4-6	5	3	16	14	10	3	M5-0.8	17
PJLK-15	15	33	11	22	10H	M4-6	5	3	16	14	10	4.5	M5-0.8	18
PJLK-20	20	35	13	22	10H	M4-6	5	3	16	14	10	5.5	M5-0.8	20
PJLK-30	30	50	18	32	14H	M6-8	5	3	18	20	12	8	M6-1.0	46
PJLK-40	40	50	18	32	14H	M6-8	5	3	18	20	12	8	M6-1.0	48
PJLK-50	50	52	20	32	14H	M6-8	5	3	18	28	17	10	M6-1.0	139